

## H3U Series PLC

### High Performance with Motion Control

#### Features & Functions

- All-in-one CPU and power supply supporting local and remote I/O
- Basic instruction: 100ns/instruction
- Program capacity: 64K steps
- Device memory
  - Auxiliary Relays: 9216 points
  - Timers: 512 points
  - Counters: 256 points
  - Data Registers: 9552 points
  - File Registers: 32768 points
- High-speed inputs: up to 200 kHz
- High-speed outputs: up to 500 kHz
- Three-axis electronic cam (only high-end motion model)
- Standard motion: two-axis circular and point-to-point interpolated
- High-end motion: three-axis point-to-point interpolated and spiral curve
- Supports Ethernet (MODBUS-TCP), RS485 (MODBUS-RTU), CANopen, CANlink (Inovance authorized) communication
- Maximum of 192 digital I/O (local), 24 analog I/O (local), 7936 digital I/O (remote), 1488 analog I/O (remote)
- Programming language conforms to IEC61131-3:
  - Ladder Diagram (LD)
  - Instruction List (IL)
  - Sequential Function Chart (SFC)

**NEW**

Up to three-axis electronic cam, more flexible and easy setup

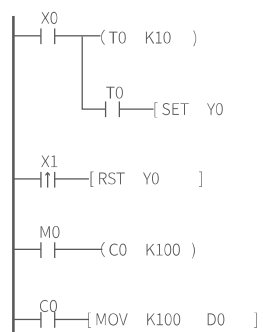


Operation in high ambient temperature



**NEW**

In-built multiple communication ports including Ethernet, CAN, Serial, USB ports, supporting program download/upload via Serial/USB/Ethernet ports



```

LD X0
AND T0
SET Y0
LDP X1
RST Y0
LD M0
OUT C0 K100
LD C0
MOV K100 D0
    
```



PC-based software-AutoShop, easy programming tool



## General Specifications

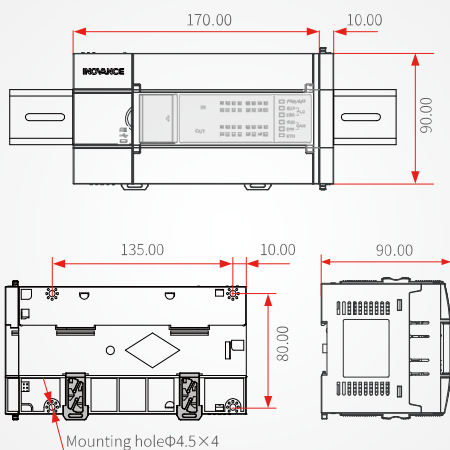
PLC Model		H3U-1616MT-XP	H3U-1616MR-XP	H3U-3232MT	H3U-3232MR	H3U-0808PMRTA
Category		Standard motion <sup>[1]</sup>				High-end motion <sup>[2]</sup>
Dimension	Height	[H]: 90 mm			[H]: 90 mm	
	Width	[W]: 170 mm			[W]: 230 mm	
	Depth	[D]: 90 mm			[D]: 95 mm	
Local extension I/O		Maximum of 128 DI/DO or 24 AD/DA, see local extension modules on page 4				
Remote extension I/O		Maximum of 7936 DI/DO or 1488 AD/DA, See remote extension modules on page 4				
Power supply		85 to 264 VAC				
In-built Inputs	Total inputs	16	16	32	32	8 <sup>[3]</sup>
	High-speed inputs	8x200 kHz	8x200 kHz	8x200 kHz	8x200 kHz	3x200 kHz <sup>[4]</sup>
In-built Outputs	Total outputs	16	16	32	32	8 <sup>[5]</sup>
	High-speed outputs	5x200 kHz	N/A	5x200 kHz	N/A	3x500 kHz <sup>[6]</sup>
	Output Type	Transistor (NPN)	Relay <sup>[7]</sup>	Transistor (NPN)	Relay <sup>[7]</sup>	4 x Relay <sup>[7]</sup> 4 x Transistor (NPN)
In-built Ports	Serial Port	COM0 (RS422/RS485), COM1 (RS485), MODBUS-RTU, DB9				
	CAN Port	CANopen/CANlink				
	Ethernet Port	MODBUS-TCP, RJ45				
	USB (Device)	Mini-B				

Note:

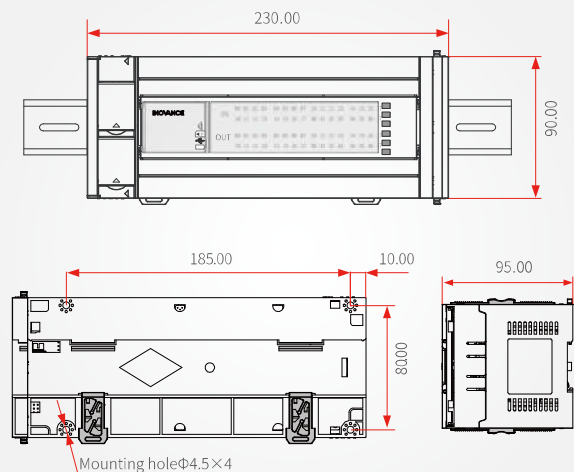
- [1] Supports two-axis circular and point-to-point interpolated
- [2] Supports three-axis point-to-point interpolated and spiral curve
- [3] 8 inputs = X0~X7, normal inputs
- [4] 3 x 200 kHz = 3-channel A/B phase differential high-speed inputs
- [5] 8 outputs = Y0~Y7, normal outputs
- [6] 3 x 500 kHz = 3-channel differential high-speed outputs
- [7] Maximum output current:  
Resistive load: 2A/1 point; 8A/4 point common terminal; 8A/8 point common terminal  
Inductive load: 220 Vac, 80 VA  
Lamp load: 220 Vac, 100W

## Dimensions

H3U-1616MT/R-XP (Unit: mm)

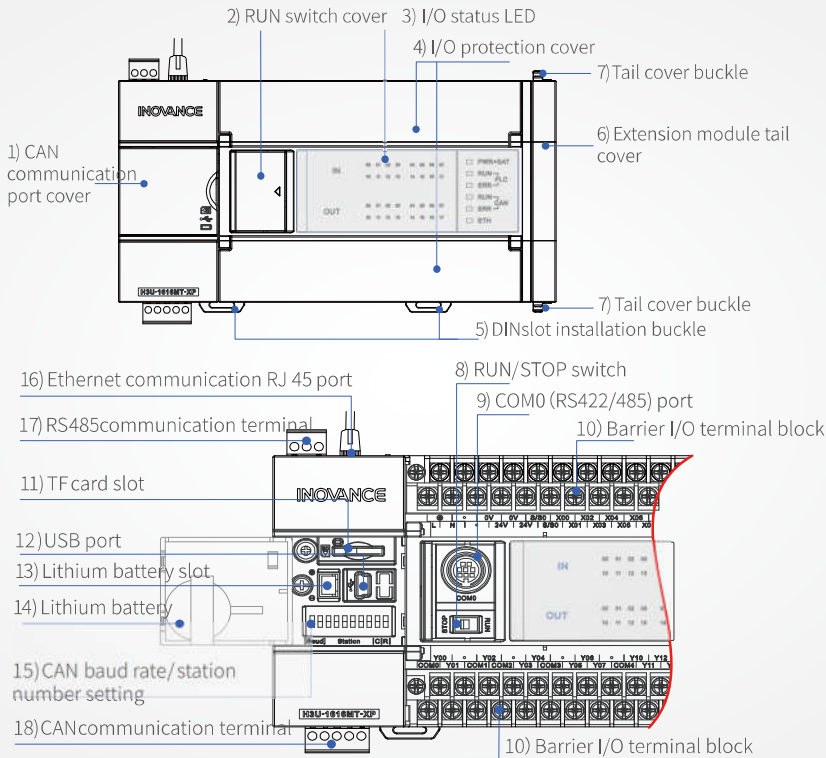


H3U-3232MT/R or H3U-0808PMRTA (Unit: mm)

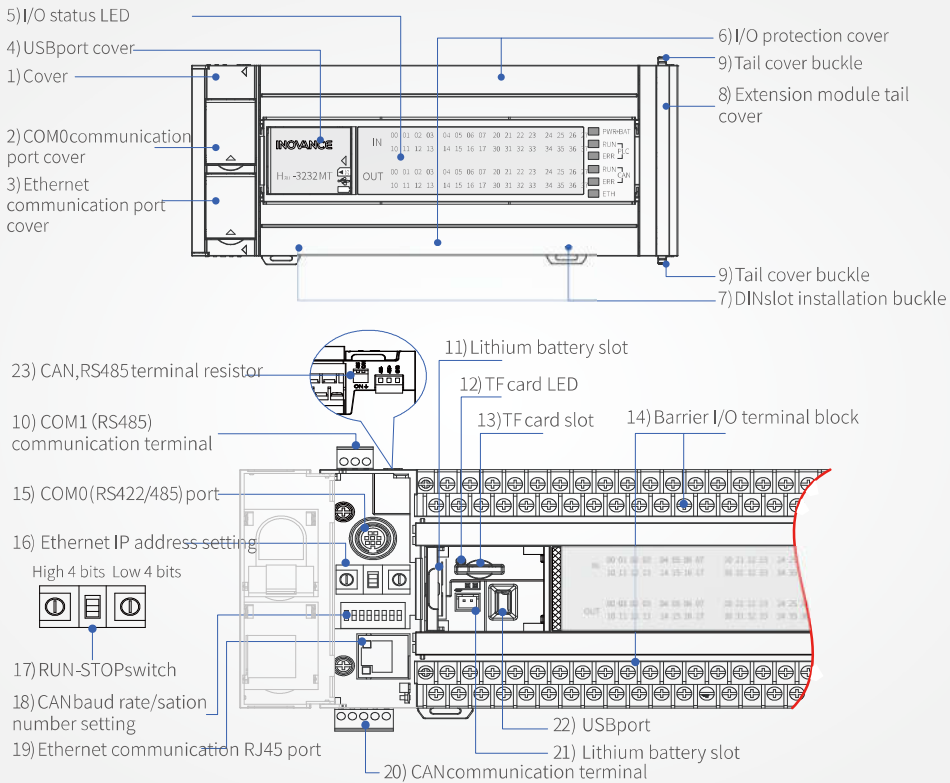


## Product Layout

H3U-1616MT/R-XP



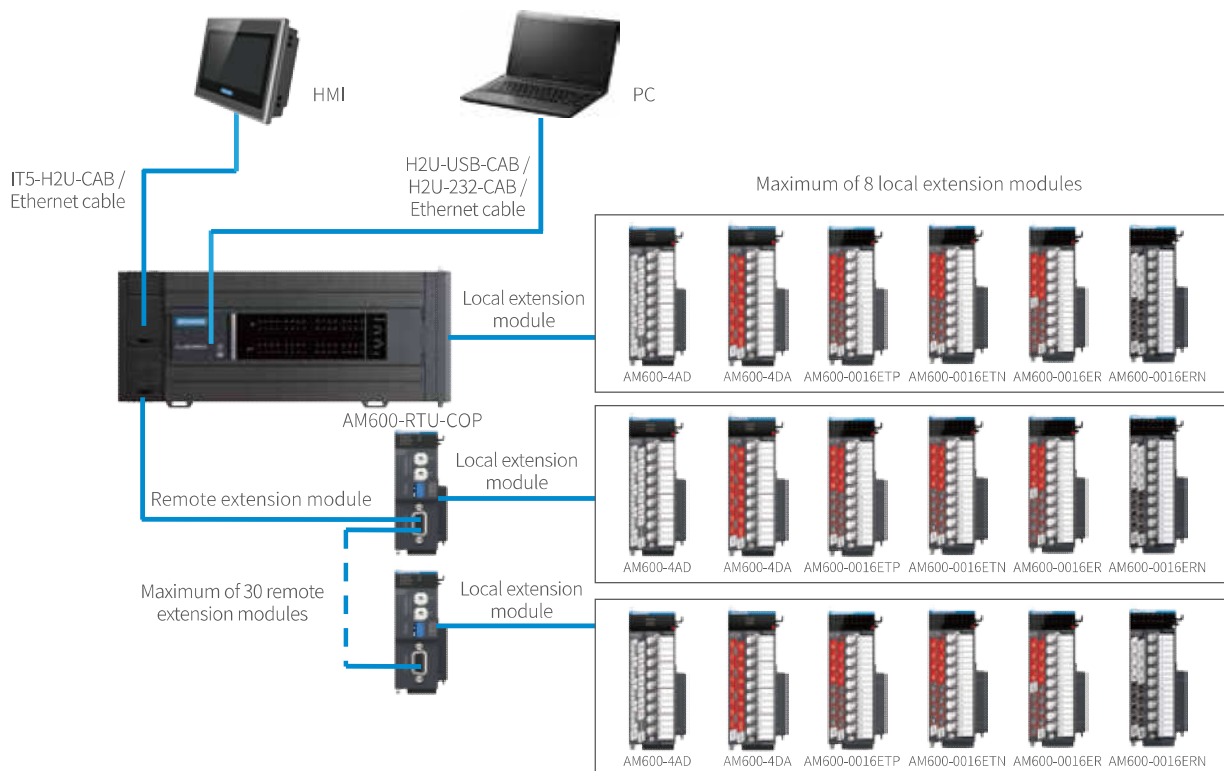
H3U-3232MT/R or H3U-0808PMRTA



## Accessories List

Part Name	Model	Function description	Part No.
Extension Module	AM600-1600END	PLC extension module, 16 inputs, input voltage: 24VDC, sink/source mode	01440005
	AM600-0016ETP	PLC extension module, 16 outputs, PNP transistor, maximum current: 500mA@24VDC	01440003
	AM600-0016ETN	PLC extension module, 16 outputs, NPN transistor, maximum current: 500mA@24VDC	01440018
	AM600-0016ER	PLC extension module, 16 outputs, relay, rated current: 2A@250VDC	01440017
	AM600-4AD	PLC extension module, 4 analog inputs, resolution: 16bit, error precision: 0.1%	01440005
	AM600-4DA	PLC extension module, 4 analog outputs, resolution: 16bit, error precision: 0.1%	01440007
	AM600-RTU-COP	CANopen slave communication module, maximum of 16 extension I/O module	01440011
Cable	H2U-232-CAB	PLC program download cable, connection of PC to Inovance PLC, the port of the cable is DB9 female, length of 2m	15042148
	H2U-USB-CAB	PLC program download cable, connection of PC to Inovance PLC, the port of the cable is mini USB, length of 1.5m	15041200
	IT5-H2U-CAB	HMI-PLC communication cable, connection of HMI to Inovance PLC, the port of the cable is DB9 male, length of 3m	15041140
	S6-L-T04-0.3	Ethernet cable, length of 0.3m, speed of up to 100Mbps, STP	15040261
	S6-L-T04-3.0	Ethernet cable, length of 3.0m, speed of up to 100Mbps, STP	15040262
Battery	H2U-BAT	CR2032 button cell lithium battery for Inovance PLC, 3.0V, 225mAh, wire length of 55mm	01023010

## H3U Series PLC System Configuration



For more information, please contact our local offices.

**INOVANCE**  
Forward, Always Progressing

**Hong Kong SAR (export office)**  
Tel: +852 2751 6080  
info@inova-automation.com

**South Korea-Seoul**  
Tel: +82 (0) 10 7428 5732  
info@inova-automation.com

**India**  
Head Office Chennai  
Tel: +91 (0) 44 4380 0201  
Ahmedabad Tel: +91 (0) 79 4003 4274  
Mumbai Tel: +91 (0) 22 4971 5883  
Delhi Tel: (to be allotted)  
Sales Network in Kolkata, Bengaluru, Coimbatore, Hyderabad, Pune  
info.inovaindia@inova-automation.com

**Germany-Stuttgart**  
Tel: +49 (0) 7144 8990  
sales@powerautomation.com

**Italy-Milano**  
Tel: +39 (0) 2268 22318  
info@inova-automation.it

**France-Bordeaux**  
Tel: +33 (0) 5594 01050  
pa.france@powerautomation.com

**Turkey-Istanbul**  
Tel: +90 (0) 21 6706 1789  
info.turkey@inova-automation.com